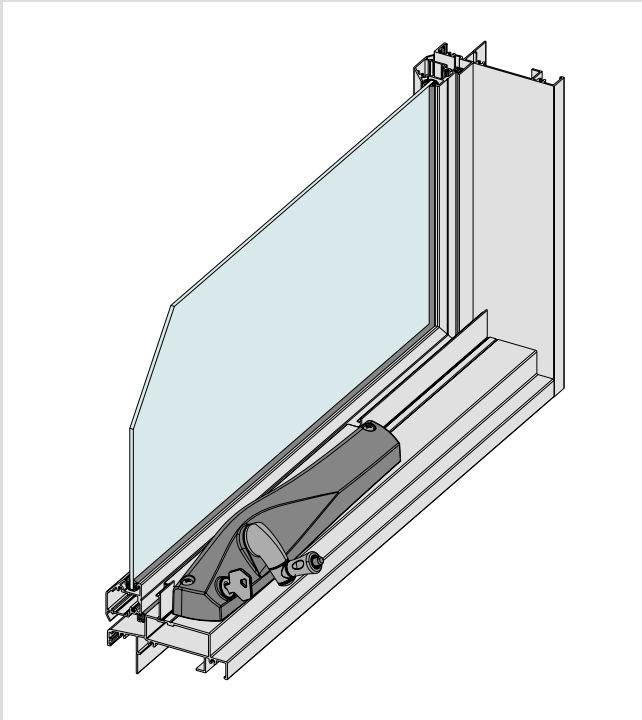
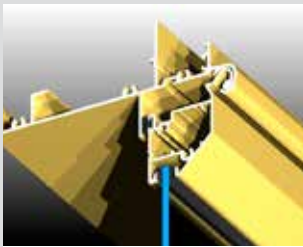


# RESIDENTIAL AWNING/CASEMENT WINDOW

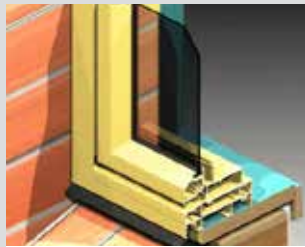


## KEY FEATURES

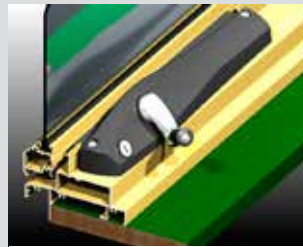
- The 102mm wide frame allows the fabrication of chain winder awning windows with the winder contained within the frame line.
- This framing system has been designed to align with and couple to the Vantage Series 541 sliding door and the Series 548 French doors.
- Awning type sashes are fitted with heavy duty adjustable chain winders.
- Adjoining fixed sidelights and/or lowlights have matching splayed glazing beads.
- Fixed sidelights and lowlights can be supplied with optional self-draining ball valve in the tubular sill that drains condensation water back to the outside while preventing blowbacks through the drainage hole.



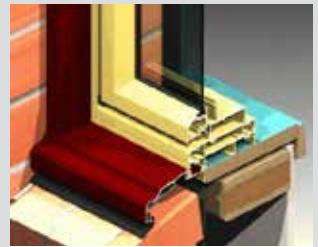
The continuous hinge built into the head and top of the sash is designed to carry heavy sashes and protect the top of the sash from water intrusion.



If you are looking for a bold frame section, consider ordering your 517 with the Longreach frame extender. The frame width grows by 17mm all round.



The standard chain winder used on the 517 comes standard with a stainless steel adjustable chain and a Polesium™ casing. These corrosion resisting features make the winder suitable for exposed locations.



The detail above shows the ultimate frame finish with Longreach frame extender and the Paddington federation trims. The Paddington trims can be coloured to match, or contrast as shown above.

### GENERAL

NB: Maximum panel height and width of Awning sashes are interdependent.

**Max Panel Height\***  
A/ @2400w = 800H  
C/ 1500mm

**Max Panel Width\***  
A/ @2100h = 900w  
C/ 600mm

**Max Glass Thickness**  
20mm

**Frame Depth**  
101.6mm

**ENERGY**  
**UW Range**  
3.8-7.1

**SHGC Range**  
0.27-0.66

### WEATHER

**Maximum Water**  
450 Pa.

### ACOUSTICS

This product has not been acoustics tested. AWS anticipates this product's acoustic performance will be in line with Series 516.

